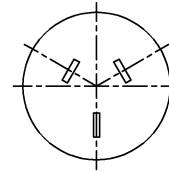
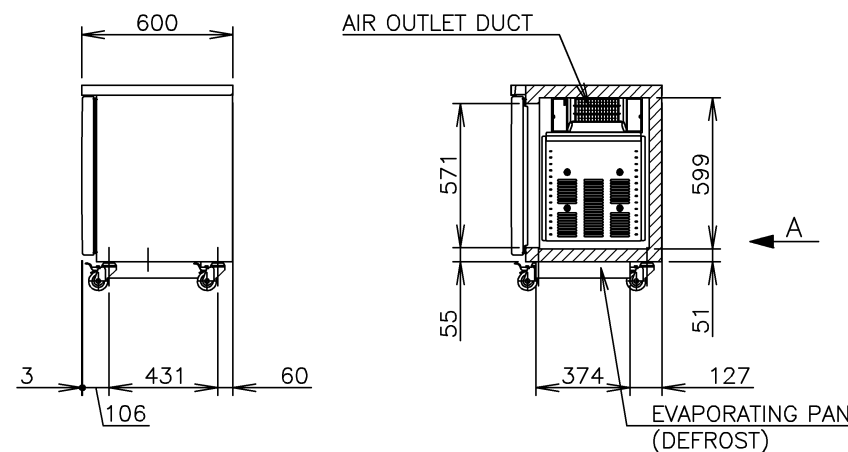
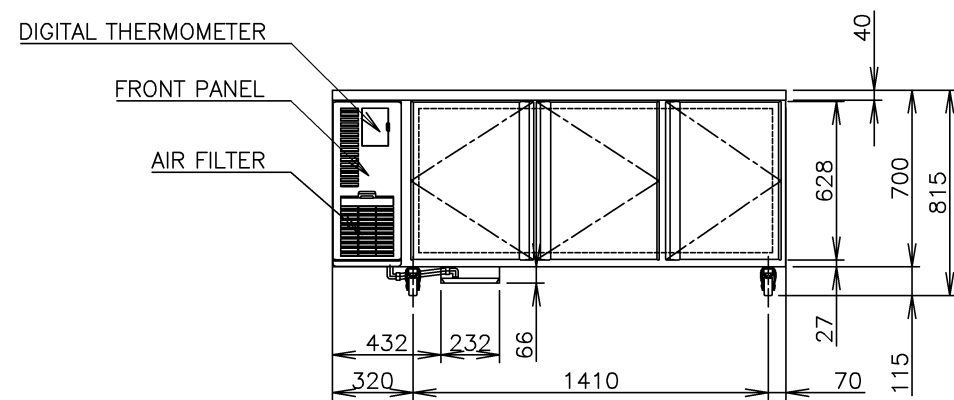
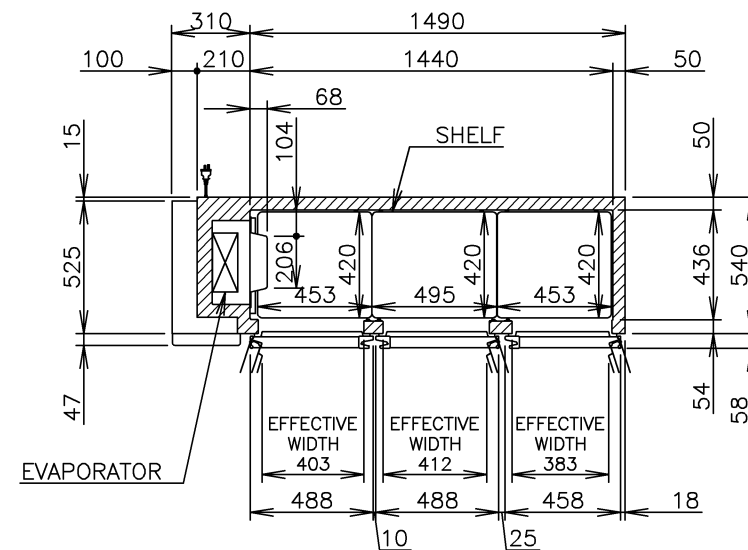
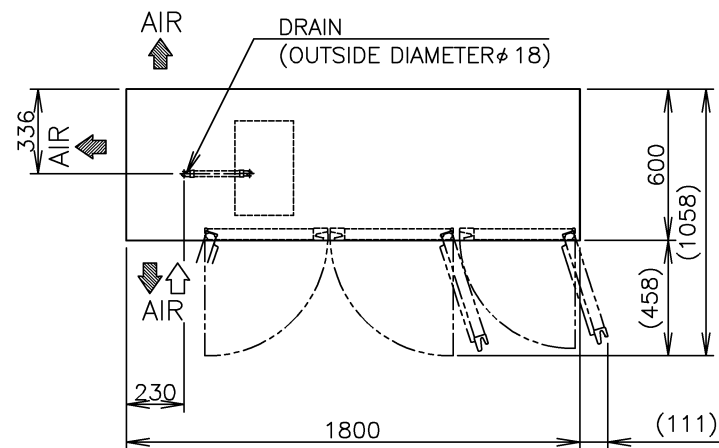


VIEW A (1/10)

*Customized specifications
Defrost drain evaporation pan
Caster with stopper H=115mm
Power Cord Australian 3 Pin Plug
Body; All SUS



AU PLUG



ITEM	Hoshizaki Undercounter Freezer
MODEL	FTC-180MNA
POWER SUPPLY	1 Phase 230V 50Hz Capacity:0.79kVA (3.6A)
AMPERAGE	Rated 2.6A
ELECTRIC CONSUMPTION	Motor 400W (Power Factor86%) Heater 423W Refrigeration 521W Defrost 423W
HEAT REJECTION	704W
POWER CORD	2.5m (AU Plug with Earth Wire)
EFFECTIVE CAPACITY	401L
OUTSIDE DIMENSIONS	1800mm (W) x 600mm (D) x 815mm (H)
INSIDE DIMENSIONS	1440mm (W) x 436mm (D) x 599mm (H)
EXTERIOR	Stainless Steel, Galvanized Steel (Rear/Bottom) ABS Plastic (Front Panel)
INTERIOR	Stainless Steel, ABS Plastic (Door)
INSULATION	Polyurethane Foam
INSULATION FOAM BLOWING AGENT	Cyclopentane
REFRIGERATION SYSTEM	Forced Air Circulation
DEFROST SYSTEM	Glass Tube Heater
COMPRESSOR	Hermetic 480W (cooling capacity)
CONDENSER	Fin and Tube type, Air-cooled
EVAPORATOR	Fin and Tube type
REFRIGERANT	R404A/170g
TEMPERATURE CONTROL	Microprocessor controlled Adjustable from -23 to -7° C
DEFROST CONTROL	Microprocessor controlled
ELECTRIC CIRCUIT PROTECTION	Fuse, Earth Wire
COMPRESSOR PROTECTION	Motor Protector
CASTER	Urethane (76mm DIA, 115mm HIGH)
SHELF	6pcs.
WEIGHT	99kg (Gross: Approx. 136kg)
PACKAGE	Carton (Wooden Pallet) 1865mm (W) x 680mm (D) x 990mm (H)
ACCESSORIES	
OPERATING CONDITIONS	Ambient Temperature:5-38° C Voltage Range:Rated Voltage±6%

*We reserve the right to make changes in specifications and design without prior notice.

1. Install the product properly in accordance with the instructions on location, electrical connections stated in the instruction manual provided. Allow 10mm extra space at the installation site to meet any installation requirements (additional spacing is also required for proper air flow and pipe connections).
2. The heat rejection is based on the reached pulldown temperature at ambient temperature of 35° C and power supply of 230V 50Hz. The amperage and electric consumption are based on measurements at ambient temperature of 38° C and power supply of 230V 50Hz.
3. The cabinet temperature range of -23 to -7° C is guaranteed at ambient temperature of 30° C.
4. Product code: T077-C523

HOSHIZAKI UNDERCOUNTER FREEZER FTC-180MNA (FOR HL)

APPROVED TORIHATA	CHECKED YAMASAKI	DESIGNED KAWAKAMI	DRAWN NISHIKOORI	SCALE 1/30	TRIGONOMETRY
*	*	△	*****	DATE 2014.08.28	DRAWING NO. D14809
APPROVED	DESIGNED	SYMBOL	DATE		SYMBOL △