

ITEM	Hoshizaki Reach-in Refrigerator
MODEL	HRE-147MA-SHD
POWER SUPPLY	1 Phase 220 - 240V 50Hz Capacity: 0.72kVA (3.3A)
AMPERAGE	Rated: 2.44A Starting: 12A
ELECTRIC CONSUMPTION	343W (Power Factor: 60%) Heater: 52W Defrost: 52W
HEAT REJECTION	610W
POWER CORD	2.3m (UK Plug with Earth Wire)
EFFECTIVE CAPACITY	1310L
OUTSIDE DIMENSIONS	1400mm(W)× 800mm(D)× 2050(-2080)mm(H)
INSIDE DIMENSIONS	1296mm(W)× 646mm(D)× 1484mm(H)
EXTERIOR	Precoated Steel, Galvanized Steel(Rear, Bottom) Stainless Steel(Front panel, Door)
INTERIOR	Precoated Steel, ABS Plastic(Door)
INSULATION	Polyurethane Foam
INSULATION FOAM BLOWING AGENT	Cyclopentane
REFRIGERATION SYSTEM	Forced Air Circulation
DEFROST SYSTEM	Off Cycle
COMPRESSOR	Hermetic 270W
CONDENSER	Fin and Tube type, Air-cooled
EVAPORATOR	Fin and Tube type
REFRIGERANT	R134a
TEMPERATURE CONTROL	Microprocessor (Digital Temp. Indication) Adjustable from -2 to 12°C
DEFROST CONTROL	Microprocessor
ELECTRIC CIRCUIT PROTECTION	Earth Wire, Circuit Breaker
REFRIGERANT CIRCUIT PROTECTION	Motor Protector (Auto-reset)
LEG	Plastic Adjustable from 150 to 180mm
SHELF	8 pcs.
WEIGHT	152kg (Gross 177kg)
PACKAGE	Carton (Wooden Pallet) 1460mm(W)× 900mm(D)× 2075mm(H)
ACCESSORIES	Drain Hose× 1
OPERATING CONDITIONS	Ambient Temperature: 5 - 43°C Voltage Range: Rated Voltage ±6%

△

△

△

△

△

△

△

△

△

△

△

△

△

△

△

△

△

△

△

△

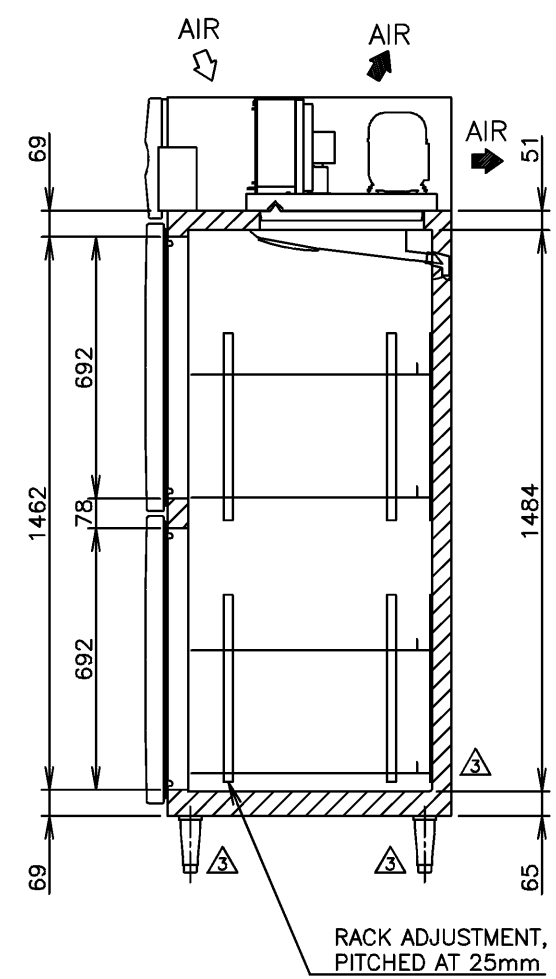
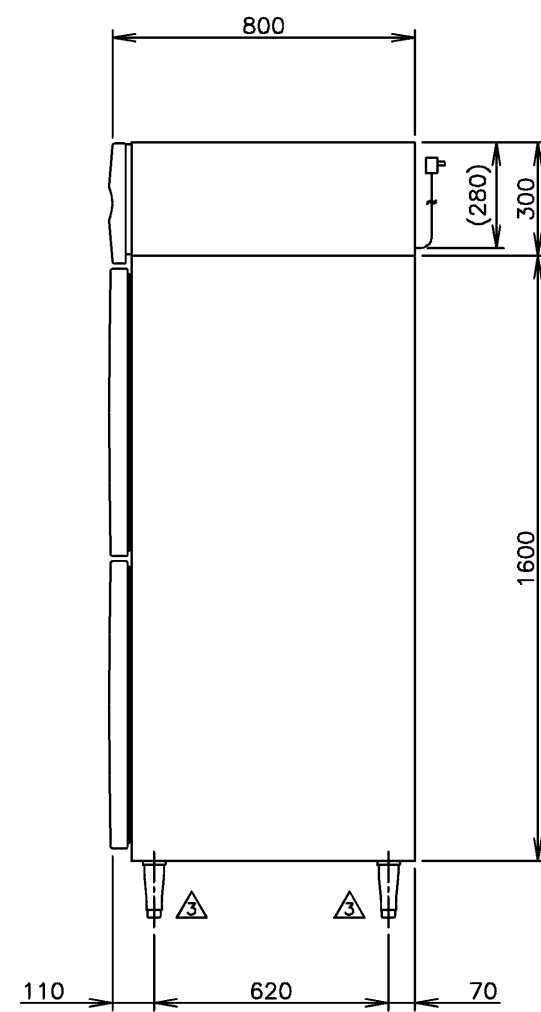
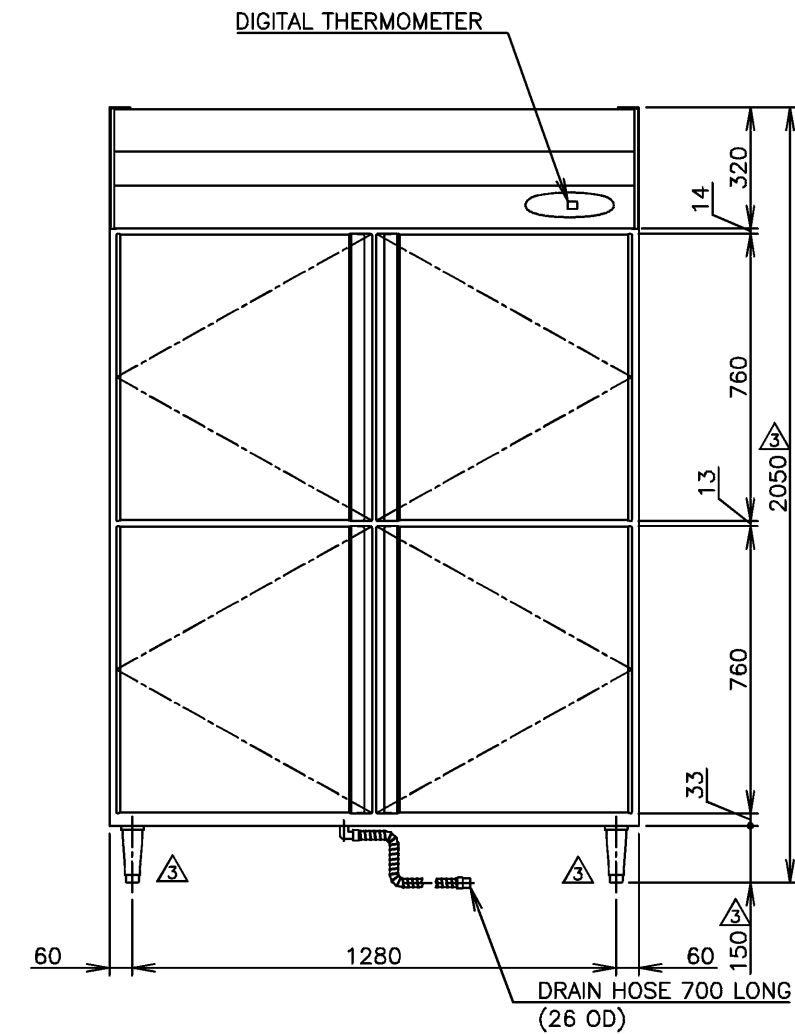
△

△

△

△

△



HOSHIZAKI REACH-IN REFRIGERATOR HRE-147MA-SHD

APPROVED ISHIGURO	CHECKED BANNO	DESIGNED KATO	DRAWN MINEZAWA	SCALE 1/20	TRIGONOMETRY
ISHIGURO	KATO	△	DATE 2012.01.08	DATE 2011.05.10	DRAWING NO. D08783
APPROVED	DESIGNED	SYMBOL	DATE		SYMBOL △