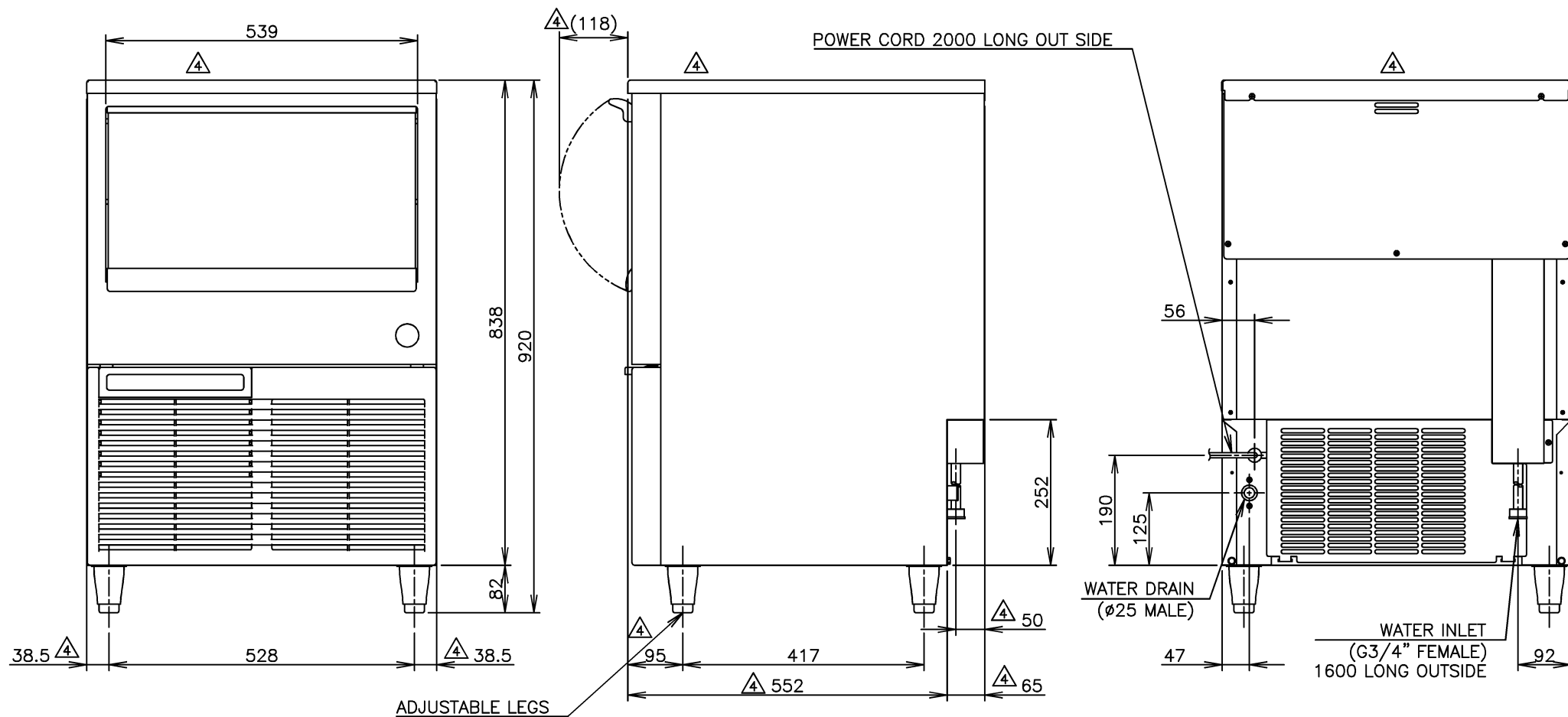
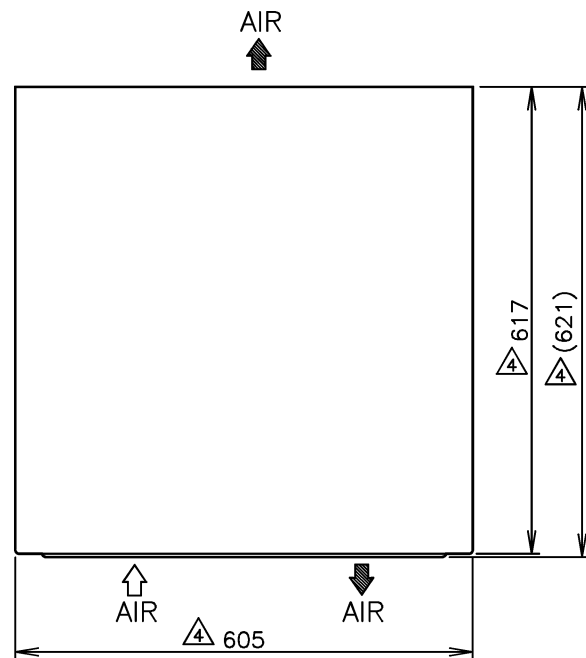


1. Install the product properly in accordance with the instructions on location, water supply/drain connections and electrical connections stated in the instruction and installation manuals provided.
2. The ice production depends on the ambient and water temperatures. Refer to the instruction manual.
3. Product Code: 15FE-C151



ITEM	Hoshizaki Crescent Ice Maker (Self-Contained Type)
MODEL	KM-50A
AC SUPPLY VOLTAGE	1 Phase 220V 60Hz
AMPERAGE	2.3A
STARTING AMPERAGE	11.3A
ELECTRICAL CONSUMPTION	320W
POWER FACTOR	63%
POWER SUPPLY CAPACITY	Min. 0.70kVA(3.0A)
ICE PRODUCTION PER	Approx. 52kg/d(AT. 21°C, WT. 10°C) Approx. 40kg/d(AT. 32°C, WT. 21°C) Approx. 31kg/d(AT. 38°C, WT. 32°C)
WATER CONSUMPTION PER	Approx. 0.178m <sup>3</sup> /d(AT. 21°C, WT. 10°C) Approx. 0.076m <sup>3</sup> /d(AT. 32°C, WT. 21°C)
SHAPE OF ICE	Crescent Cube
FREEZE CYCLE TIME	Approx. 26Min(AT. 21°C, WT. 10°C)
ICE PRODUCTION PER CYCLE	Approx. 1.05kg / 110pcs(AT. 21°C, WT. 10°C)
MAX STORAGE CAPACITY	Approx. 23kg(Bin Cont Setting Approx. 19kg)
OUTSIDE DIMENSIONS	605mm(W) x 617mm(D) x 920mm(H)
EXTERIOR	Stainless Steel, Galvanized Steel(Rear)
INSULATION	Polyurethane Foam
INSULATION FOAM BLOWING AGENT	Cyclopentane/CFC Free/ODP: 0/GWP: 3
CONNECTIONS-ELECTRIC	Y-type Con.
CONNECTIONS-WATER SUPPLY	Inlet G3/4"(connected at rear side)
CONNECTIONS-DRAIN	Outlet $\phi$ 25(connected at rear side)
ICE MAKING SYSTEM	Vertical Evaporator with water flow on both sides
HARVESTING SYSTEM	Water Supply Harvest Cycle and Hot Gas Defrost
COMPRESSOR	Hermetic
CONDENSER	Air-cooled, Fin and Tube type
HEAT REJECTION	720W(621kcal/h)(AT.32°C, WT.21°C)
EVAPORATOR	Vertical type, Stainless Steel and Copper
REFRIGERANT CONTROL	Capillary Tube
REFRIGERANT CHARGE	R134a/220g
ICE MAKING CONTROL SYSTEM	Float Switch
HARVESTING CONTROL SYSTEM	Hot Gas and Water, Thermistor and Timer
ICE MAKING WATER CONTROL SYSTEM	Timer Controlled, Overflow Pipe
BIN CONTROL SYSTEM	Mechanical Level Switch with Delay
ELECTRICAL PROTECTION	Class I Appliance, 5A Fuse
COMPRESSOR PROTECTION	Auto-reset Overload Protector
ICE MAKER PROTECTION	Interlock by Controller Board
WEIGHT	Net: 55kg(Gross: 69kg)
PACKAGE	Carton 690mm(W) x 705mm(D) x 955mm(H)
ACCESSORIES	Instruction Manual, Scoop, Leg(4pcs), Outlet Hose
OPERATION CONDITION	Ambient Temp.: 7-38°C, Water Supply Temp.: 7-32°C Water Supply Pressure: 0.07-0.8MPa(0.7-8bar) Voltage Range: $\pm$ 10%

\*We reserve the right to make changes in specifications and design without prior notice.

# HOSHIZAKI CRESCENT ICE MAKER (SELF-CONTAINED TYPE) KM-50A (for KOREA)

APPROVED OGATA	CHECKED OGATA	DESIGNED YOSHIDA	DRAWN MINEZAWA	SCALE 1/10	TRIGONOMETRY
KUROYANAGI APPROVED	KOSHI DESIGNED	2015.03.06 DATE	DATE 2008.10.21	DRAWING NO. D03923	SYMBOL 4